

Micro-CT Dose

The Micro-CT Dose Phantom is designed to measure dose (DLP, CTDI) using a standard penzil shaped ionization chamber, usually available at a length of 100 mm.

MicroCT-Dose is a dosimetry phantom with a length of 120 mm for determination of DLP (Dose Length Product) and CTDI (Computed Tomography Dose Index). The central bore hole fits a standard pencil ionization chamber of 100 mm length.

The removable insert is commonly used in standard dosimetry phantoms where ionization chambers can be inserted at the center and at 10 mm from the periphery of the phantom.

The standard Micro-CT phantoms are scaled down from the diameter of an average human trunk (32 cm) to that of a fat mouse or lean rat (32 mm). Dimensions other than specified here can be produced upon request.

Specifications

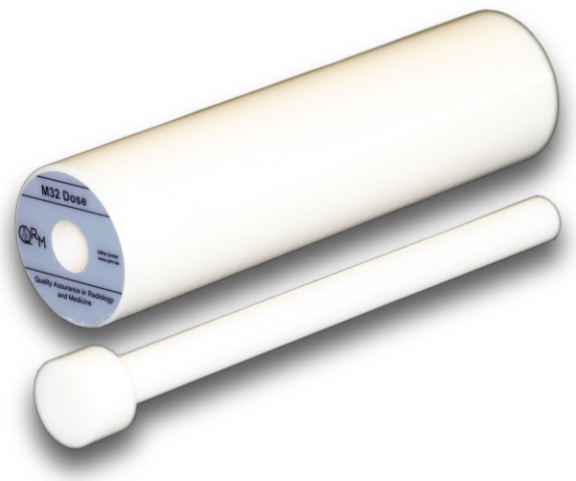
Base material tissue-equivalent plastic
 Diameter of central bore hole 9 mm
other hole diameter upon request.

Dimensions for mouse-size phantom:

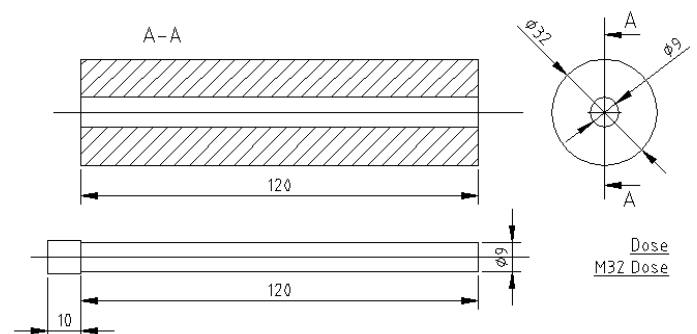
Diameter 32 mm
 Length 120 mm
 Weight 105 g

References:

- [1] Kalender, W., Durkee, B., Langner, O., Stepina, E., Karolczak, M.: Comparative Evaluation: Acceptance Testing and Constancy Testing for Micro-CT Scanners. Biomedizinische Technik 50 (2005), 1192-1193



Micro-CT Dose Phantom



Dimensions of the phantom

深圳市展业达鸿科技有限公司

吕先生: 15920060912 (微信同号) 0755-22934005 (座机)

地址: 深圳市福田区八卦二路八卦岭工业区615栋419

邮箱: hongqi@thingstet.com

网址: www.thingstet.com